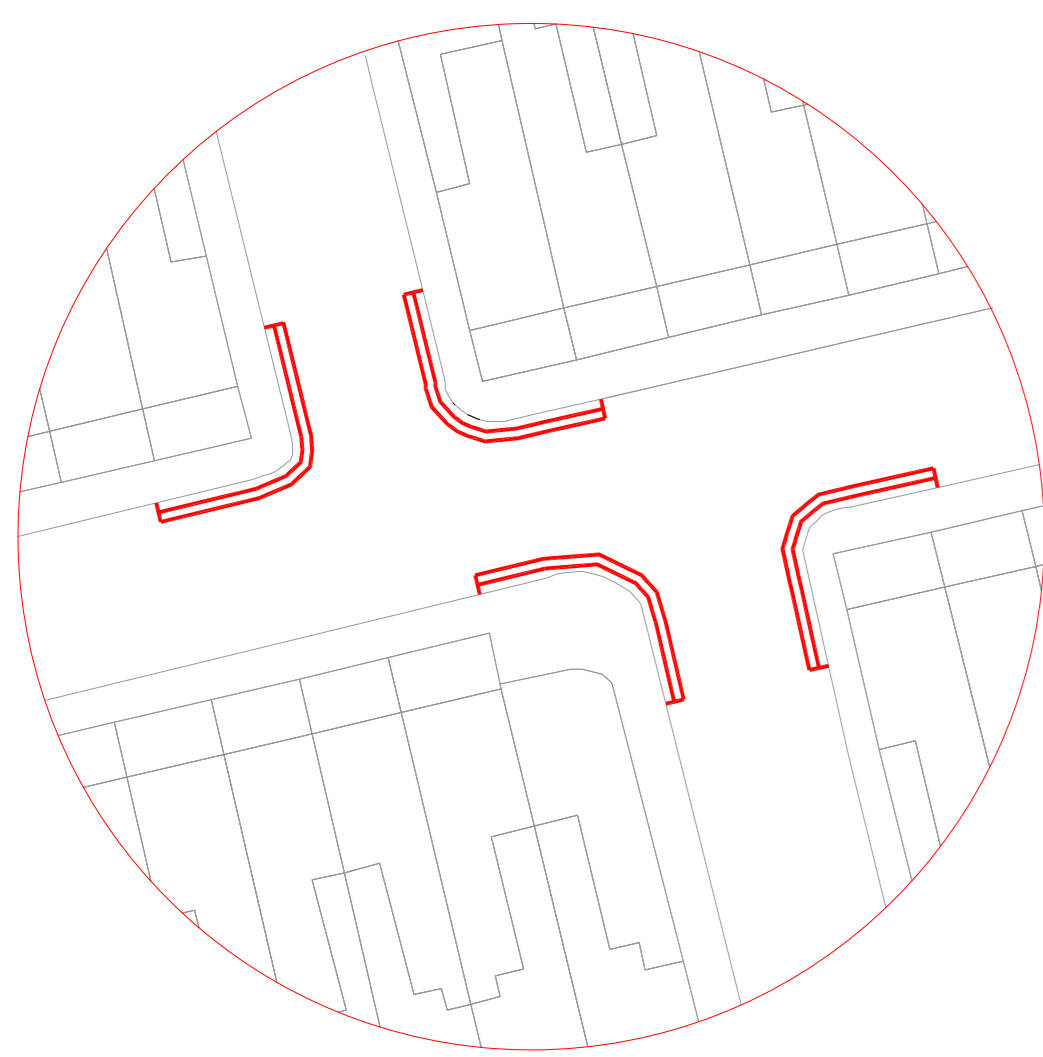
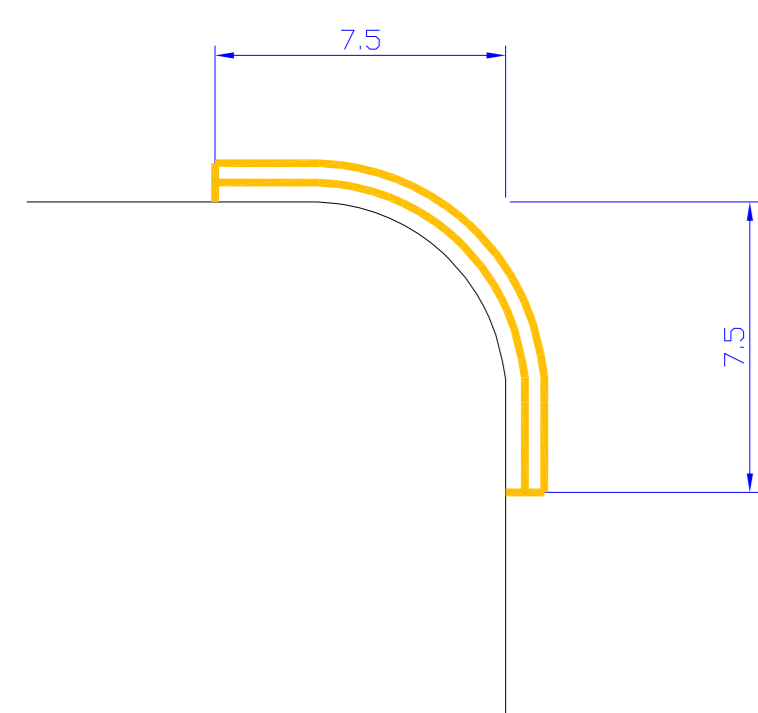


Peckham Road South - Proposed double yellow lines (Junction protection)



Proposed at any time waiting restrictions (double yellow lines) on junctions

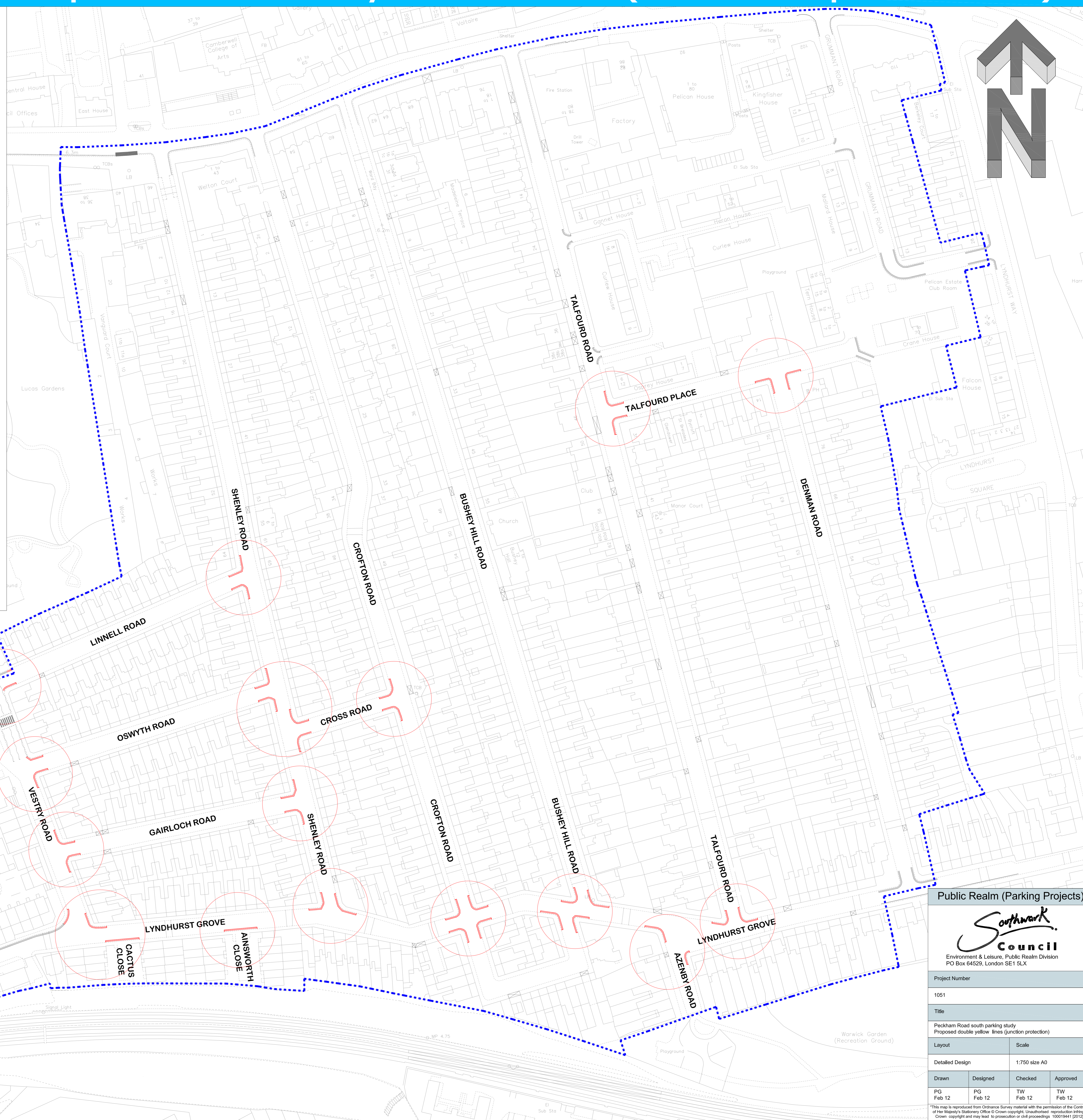


Double yellow lines to extend for 7.5m (TSRGD 1018.1)



Peckham Road south study area boundary

Appendix B



Public Realm (Parking Projects)



Project Number

1051

Title

Peckham Road south parking study
Proposed double yellow lines (junction protection)

Layout

Scale

Detailed Design

1:750 size A0

Drawn

Designed

Checked

Approved

PG Feb 12

PG Feb 12

TW Feb 12

TW Feb 12

This map is reproduced from Ordnance Survey material with the permission of the Controller of Her Majesty's Stationery Office. © Crown copyright. Unauthorised reproduction infringes Crown copyright and may lead to prosecution or civil proceedings. 100019441 [2012]